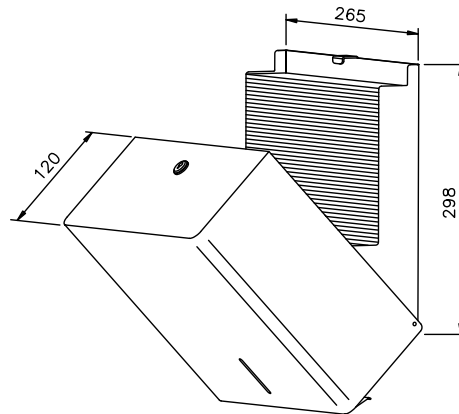


## Paper towel dispenser in stainless steel



- Full metal housing in robust, easy-to-clean stainless steel AISI 304, satin finished, rounded vertical corners.
- Holds approx. 500 paper towels.
- Inspection slot to indicate refill level.
- Housing door swings down for refilling.
- Dispenser lockable with cylinder lock fitted on the top.
- Easy to clean due to optimum accessibility.
- Simple mounting: line up with tiles and fasten with 4 screws.

### Suggested text for specifications:

Paper towel dispenser in stainless steel AISI 304, for surface mounting, satin finished, lockable with cylinder lock. Full metal housing with rounded vertical corners.

Dimensions 265 x 298 x 120 mm; for approximately 500 paper towels; includes mounting components.

Article No. PP 113

